



TigerTM ROTARY AND FLAIL Boom Mowers



Bengal Brute

Bengal Brute standard with secondary boom breakaway. Available with LRS on specific tractor models.

DURABILITY INNOVATION

COMMITMENT

18'



22'



High mount
Extreme Duty
boom swivel bracket
All Bengals

24'





Rotary heads



50" Rotary



60" Rotary



Cuts Up to 6" brush

50" or 60" Bengal Rotary heads have the choice of Disc or Blade bar cutting systems.



Cuts Up to 5" brush

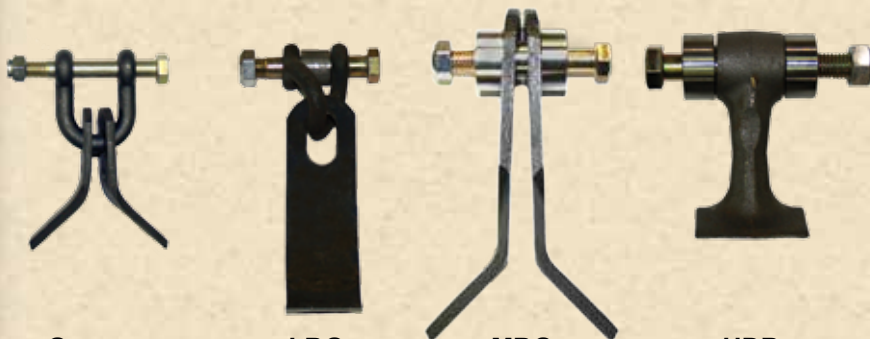
Flail heads



63" Flail with Grass knives



50" Flail with MBG knives



Grass
Grass only

LBG
Up to 2 1/2" brush

MBG
Up to 3" brush

HDB
Up to 4" brush



50" Flail with HDB knives



Stow Systems



SIDE STOW (SS)

SINGLE PT STOW (10S)

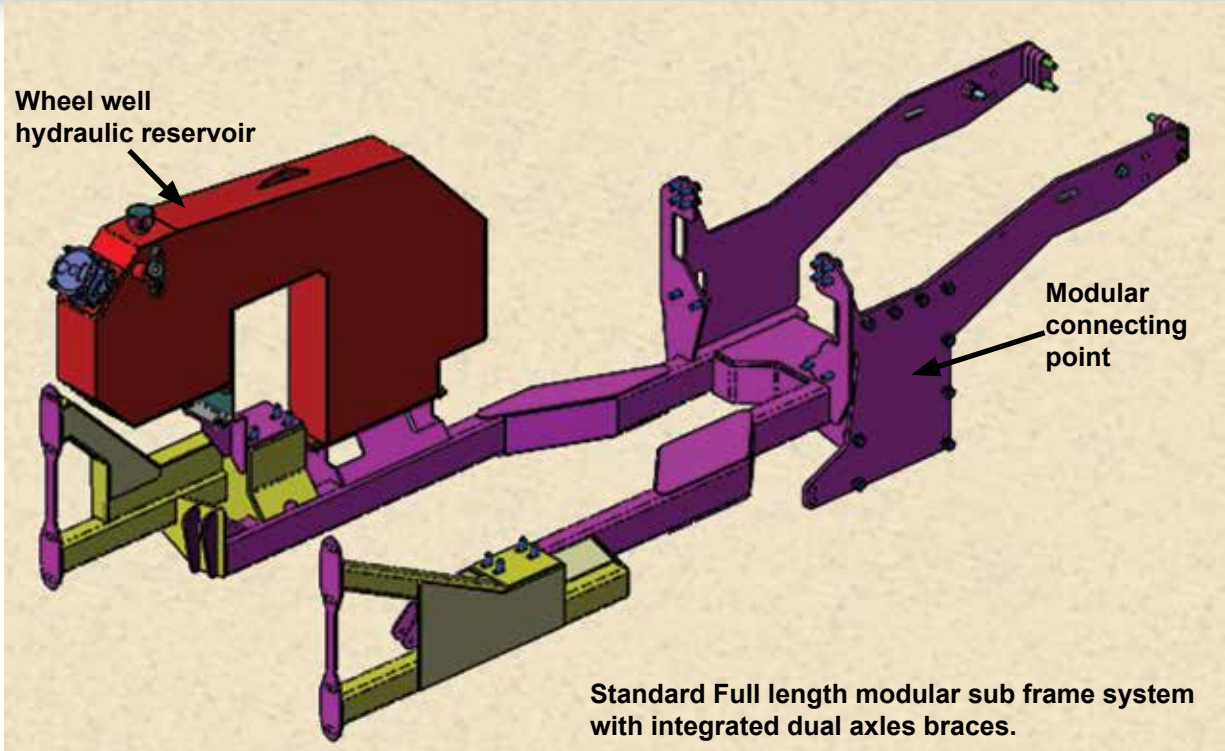


**3 PT OPEN STOW (30S)
W/ DBL AXLE SUPPORT**

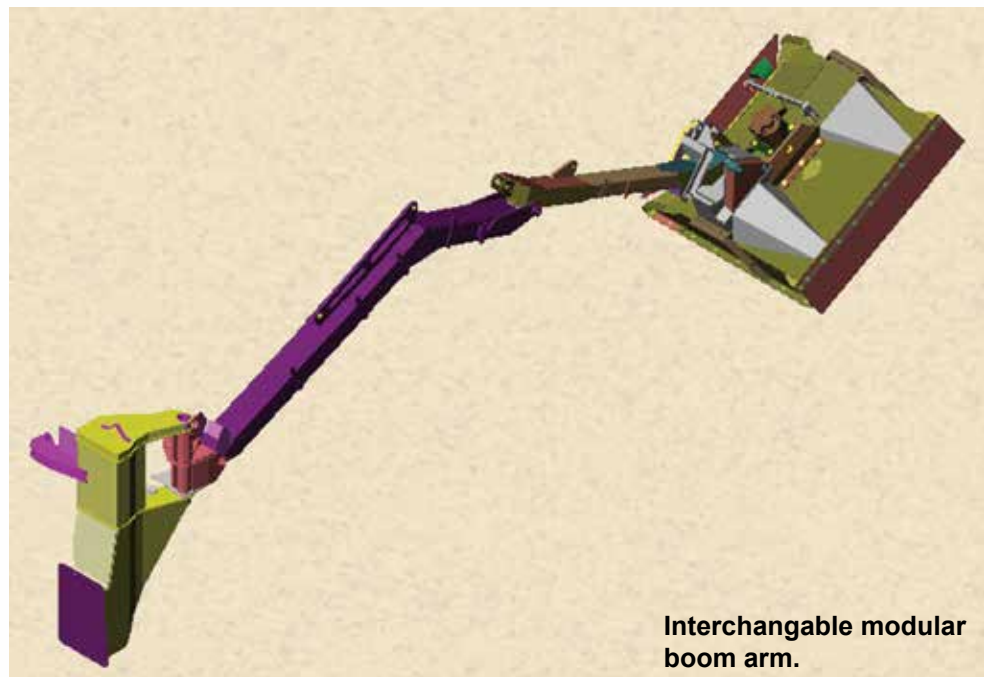
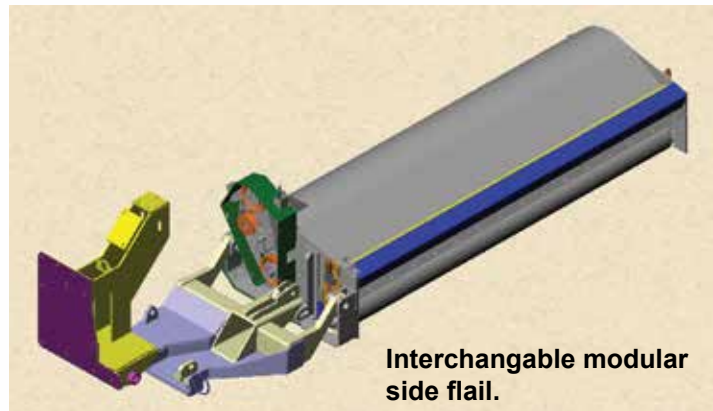
**BENGAL BRUTE STOW
W/ SECONDARY BOOM
BREAKAWAY**



Modular Frame



Tiger has redesigned the mounting frame for several of our tractor assemblies in a new modular format. This unique design builds additional strength into the tractor framing system while providing interchangeability. With a Tiger modular frame, changing from a boom to a side mower or from a side to a boom can be done in as little as eight hours. This increases flexibility of use without the need to buy a complete new frame and mowing system.



25'



28'



30'





Rotary heads



50" Rotary

60" Rotary



25' Saber Only
Cuts Up to 8" brush

28' and 30' Saber
Cuts Up to 6" brush

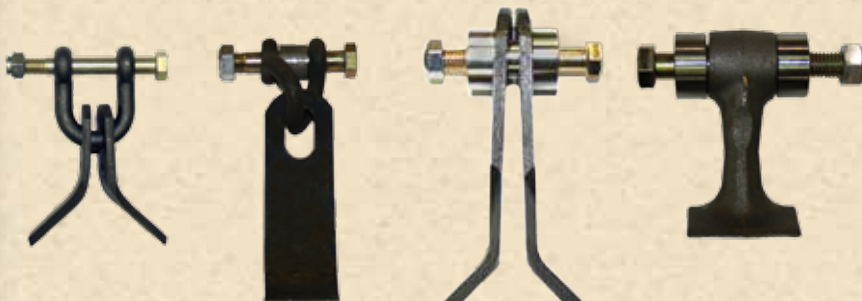
Cuts Up to 5" brush

Flail heads



63" Flail with Grass knives
Only available on 25' Saber

50" Direct Drive Flail with MBG knives
Only available on 30' Saber



Grass
Grass only

LBG
Up to 2 1/2" brush

MBG
Up to 3" brush

HDB
Up to 4" brush



50" Flail with HDB knives



CABLE CONTROLS

Hydraulically driven Cable Controls for Boom mower.



ELECTRONIC JOYSTICK

Electronic over hydraulic Joystick Control.



PUMP/GRILL GUARD

Additional protection with Pump or Grill Guard.



PERIMETER GUARD

Designed to protect the tractor from falling debris.



AXLE STABILIZER

Additional stability and control for larger booms.



BULK HEAD

Optional controls from outside the cab of the tractor.

Common Features



TRAVEL SAFETY LOCK

Controlled from operator's position.



BRAKE VALVE

Brake valve stops the cutter head in less than 7 seconds.



NITROGEN ACCUMULATOR

Provides smooth response and reduces shock.

Dealer Info:

Tiger Corporation
3301 N Louise Ave.
Sioux Falls, SD 57107
800-843-6849
www.tigermowers.com
An Alamo Group Company

Contact Tiger Corporation for tractor compatibility requirements. Specifications are subject to change without notice. Optional equipment may be shown. One Year Warranty on all products.



MADE WITH PRIDE IN THE USA