



*For your safety:  
Always read this instruction manual  
before use.*

**OPERATOR & PARTS MANUAL 685**

**Buccaneer  
SD 130, 150, 180, 200, 225  
Forestry Mulcher**

## IMPORTANT

Note here the serial number of your machine and always quote it in any communication with us or your dealer. This is particularly important when ordering spares. Remember to include all numbers and letters.

Machine serial numbers \_\_\_\_\_

The information given throughout this manual is correct at the time of publication. However, in the course of constant development of Bomford Turner machines, changes in specification are inevitable. Should you find the information given in this book to be at variance with the machine in your possession, you are advised to contact the Bomford Turner Service department where up-to-date information will be provided.

The manual can contain standard and optional features and is not to be used as a machine specification. The machine has been tested and is considered safe if carefully used. Ensure your operator is properly trained in its use and maintenance.

---

## IMPORTANT

Notez ici les numeros de serie de votre machine et mentionnez les dans toute communication avec nos services ou votre revendeur. Ceci est important pour la commande de pieces detachees. Pensez a noter tous les numeros et toutes les letters.

Numeros de serie de la machine \_\_\_\_\_.

Les informations donnees dans ce manuel sont correctes cependant, du fait de developpement constant des machines Bomford Turner. Changements dans les caracteristiques sont inevitables. Si vous trouvez que les informations donnees ne correspondent pas a votre machine veuillez contacter le service des reparations ou des informations plus recentes vous seront donnees.

Ce manuel peut montrer des caracteristiques optionnelles et ne peut pas etre considere comme specification de la machine. Cette machine a ete testee, et elle est consideree comme fiable a condition d'une bonne utilisation. Assurez-vous que votre operateur est qualifie en ce qui concerne l'utilisation de la machine ainsi que son entretien.

---

## WICHTIG

Tragen sie hier die seriennummern ihrer maschine ein und geben sie diese immer an, wenn sie sich an uns oder ihren händler wenden. Das ist besonders bei ersatzteilbestellungen wichtig. Vergessen sie nicht, alle zahlen und buchstaben zu notieren.

Seriennummern der maschine \_\_\_\_\_

Die angaben indiesem handbuch sind bei veröffentliching korrekt. Aufgrund der konstanten weiterentwicklung von Bomford Turner maschinen sind jedochänderugden in der spezifikation unvermeidlich. Wenn die information in diesem handbuch nicht mit ihrer maschine übereinstimmen, nehmen sie bitte kontakt mit der Bomford Turner kundendienstabteilung auf, die ihnen gerne die aktuellen information zukommen lässt.

Das handbuch kann sowohl beschreibungen für die standard ausführung als auch für zubehör enthalten und ist nicht als maschinenspezifikation zu verwendet. Die maschine ist getestet und bei sachgemäßem betrieb als sicher befunden worden. Sorgen sie dafür, dass ihr bedienpersonal in anwendung und wartung richtig geschult wird.

**EC DECLARATION OF CONFORMITY**  
Conforming to EU Directive 2006/42/EC

We,

Of BOMFORD TURNER LIMITED, Station Road, Salford Priors, Evesham, Worcestershire, WR11 8SW

Declare that we are the authorized representative, responsible for the product (type);

Linkage mounted unit	Product code
<b>BUCCANEER SD &amp; SDF 130</b>	<b>VENT</b>
<b>BUCCANEER SD &amp; SDF 150</b>	<b>VENT</b>
<b>BUCCANEER SD &amp; SDF 180</b>	<b>VENT</b>
<b>BUCCANEER SD &amp; SDF 200</b>	<b>VENT</b>
<b>BUCCANEER SD &amp; SDF 225</b>	<b>VENT</b>

A tractor mounted vegetation control flail mowing attachment.

Serial No(s) & Date:.....

Designed / Manufactured in Europe

This product complies with the required provisions of;

- Directive 2006/42/EC
- Directive 2004/108/EC
- BS EN ISO 12100-1:2010

And other national standards associated with its design and construction as listed in its technical file.

BOMFORD TURNER LIMITED operates an ISO 9001:2008 quality management system.  
This system is accredited by;

BSI, Beech House, Linford Wood, Milton Keynes, UK, MK14 6ES  
BSI identification number: UKAS 003  
Bomford Turner certificate number: FM 34659

Signed.....  


On behalf of BOMFORD TURNER LIMITED Responsible person

Status: Managing Director

Date 03/01/2012

This page is intentionally left blank

## **SAFETY RECOMMENDATIONS**

### **THE MAJORITY OF WORKING INCIDENTS ARE OWING TO THE LACK OF THE MOST BASIC SAFETY RULES.**

- In order to be able to work on the machine safely, it is necessary for it to be supported on a flat surface or solid ground for the tractor and disconnected from the power take off (PTO).
- Ensure that the power of the tractor is sufficient for the required characteristics of the machine in use.
- Keep people or animals away from the machine before unclouping.
- Do not place any object on the machine that may get caught.
- Do not transport people or animals on the machine.
- Check that the PTO is marked with the symbol C.E. and that its chain has been correctly hooked up to avoid radiation of the PTO protector.
- Be particularly careful when working in stony places. Roughness of the ground may result in the machine protectors being temporarily insufficient.
- Be particularly careful when transporting the machine by road, respecting the highway code.

### **Buccaneer Forestry Mulcher Specification**

Buccaneer	Model	Width of cut	Overall width	No of hammers	PTO speed	Hammer type	Weight	Tractor HP
SD	130	1300	1500	20	540	Swing	658	40
SD	150	1500	1750	24	540	Swing	788	50
SD	180	1800	2000	28	540	Swing	952	65
SD	200	2000	2250	32	540	Swing	1116	75
SD	225	2250	2500	36	540	swing	1280	90

- Hydraulic rear flap
- Heavy duty replaceable skids
- CAT 2 three point linkage
- Front "double row" chain guard
- Front mountable
- RR pushbar

## **1. USE OF THE INSTRUCTION MANUAL**

- 1.1 Before starting your Bomford forest shredder you must consult the instructions and safety warnings stated in this manual. These are necessary for its correct starting, attachment to the tractor and use.
- 1.2 Among others, dangerous situations that may be encountered whilst using the machine are indicated by this we aim to achieve the most desirable working and safety conditions.
- 1.3 All the indications in this manual must be carried out according to the indications specified by the tractor and PTO manufacturer, without forgetting the current legislation concerning motor vehicle circulation.

## **2. DO NOT ALLOW THE MACHINE TO BE USED BY YOUNG PEOPLE OR THOSE UNAWARE OF ITS WORKINGS OR THE INSTRUCTIONS FOR ITS STARTING**

- 2.1 The control and maintenance of this Bomford forest shredder **IS UNDER THE USER'S RESPONSIBILITY.**
- 2.2 Inadequate maintenance may result in damage to the machine and lead to dangerous situations.
- 2.3 The user is responsible for damage caused by misuse, or by not following the indications laid out in this manual.
- 2.4 **Bomford** denies all responsibility in the following cases:
  - Partial or total disregard of the instructions manual.
  - Use of non-original Bomford's spare parts.
  - Unauthorised modifications of the machine.
  - Inadequate maintenance.
  - Incorrect operation of the tractor PTO.
  - Attachment to the tractor with a different power to that indicated.
  - Incorrect attachment of the machine to the tractor.
  - Use by inexperienced persons, or those without knowledge of its instructions of use.
  - Misuse.

## **3. MACHINE ASSEMBLY**

**THE DRIVE OR PTO IS CONSIDERED AS A MACHINE. IT HAS ITS OWN INSTRUCTIONS MANUAL; THIS MUST BE READ CAREFULLY BEFORE ANY INTERVENTION.**

- 3.1 Attach the machine to the three tractor points using the corresponding pins.
- 3.2 Attach the PTO. The point to be joined to the tractor is indicated on the PTO itself. Couple the corresponding part to the PTO of the machine.

#### **4. ATTACHMENT TO THE TRACTOR**

- 4.1 Ensure that the tractor arms are at the same height as the machine coupling brackets. Regulate the tractor tighteners and fit the washers or clips to the coupling pins.
- 4.2 Regulate and put into place the 3rd point of the tractor.
- 4.3 Attach the PTO to the tractor power take off.
- 4.4 Raise the machine, and then regulate the cutting height by means of the shoes, raising or lowering them to the desired height.
- 4.5 Start the machine in order to check its correct working order, steadily engaging the PTO.

#### **5. USAGE**

**FOR COMPLETELY SAFE USAGE READ THE INSTRUCTONS MANUAL AND OBERVE THE NECESSARY PRECAUTIONS.**

- 5.1 Respect the direction and speed of rotation of the PTO.
- 5.2 It is the user's responsibility to ensure that no one is found within the range of working of the machine, or at least at an adequately safe distance.
- 5.3 Do not use your forest shredder machine for other jobs for which is not suitable.
- 5.4 The advisable working speed is from 2 to 3 km/h and engine revolutions between 1800 and 2000 rpm.

#### **6. SAFETY**

**ON NO OCCASION IS WORKING BELOW THE MACHINE ALLOWED. IF IT IS FIXED ON THE TRACTOR, A STABLE SUPPORT MUST BE ATTACHED IN ORDER TO AVOID ANY RISKS**

- 6.1 Do not use the forest shredder before having thoroughly read and understood the instruction manual.
- 6.2 Before carrying out any maintenance or test operation:

**The PTO (tractor power take off) must be at a complete standstill**

- 6.3 Ensure that the pins are well placed with their clips.
- 6.4 Never place your food bellow the working machine.
- 6.5 For its maintenance and testing, replace parts using only original spare parts and components.
- 6.6 Do not transport the scrub cutter machine whilst the rotor is running.
- 6.7 Disconnect the tractor power take off and leave the machine on the ground. Wait until the machine has stopped rotating before stopping the tractor.
- 6.8 The last page reproduces the safety adhesives attached to the forest shredder. This contributes towards safeguarding your safety as well as that of others. It is necessary to keep them in a visible place and replace them when worn.

## 7. MAINTENANCE

**FOR COMPLETELY SAFE WORKING CONDITIONS, ALWAYS USE ORIGINAL BOMFORD PARTS.**

- 7.1 Check the oil level of the machinery every 50 hours (the recommended oil is SAE-90 EP) and it must be replaced during the first 100 hours of operation.
- 7.2 This operation must be repeated for each 400 hours of use.
- 7.3 Lubricate de drive tubes and braces every 8 hours, preferably whilst still warm.

### **OIL FOR GROUP 540 RPM:**

**QUANTITY: 1.7 litres**

**RECOMMENDED OIL: SAE-90 EP**

**APPROX. GROUP WEIGHT: 28 kg**

### **LUBRICATION**

Use MOLIKOTE or BR-II in black or green.

Ensure that said grease has ***Bisulphide of Molybdeno.***

Lubricate the machine every 4-5 hours for the lubricating points.



## **8. MAINTENANCE MAIN ASKS**

### **8.1 BEFORE THE WORK CYCLE**

Necessary personnel: 1 driver.

Check the state of the hammers. In case of excessive use, replace and consult a qualified technician.

Check the level of oil in transmission box opening plug. If oil emerges, from the plug hole, the level is correct, if it does not, refill by pouring into plug hole until the highest possible level.

### **8.2 AFTER THE TWO FIRST HOURS OF WORK**

Necessary personnel: 1 qualified technician

Check the tension of the transmission belts (FIG 8.2). To complete this operation, apply pressure P to the point indicated by the arrow, and verify that the movement is less than F.

WARNING: The operation described must be done with every transmission belt.

### **8.3 AFTER THE FIRST 100 HOURS WORK**

Tighten the counter screws again.

### **8.4 EVERY 300 HOURS WORK**

Change the oil as specified above.

### **8.5 TRANSMISSION BELTS**

#### **8.5.1 TIGHTENING**

The presence of a tensioner on spring eliminates the need to tighten the belts manually.

It is also possible to tighten the belts by changing spring.

To do this operation properly, proceed as follows:

Necessary personnel: 1 qualified technician.

Unscrew counter screw and tighten screw.

#### **8.5.2 REPLACING**

Necessary personnel: 1 qualified technician.

Replace the belts as follows:

Remove the belt cover.

Remove all tension from spring.

Replace belts.

Tighten spring nuts as explained earlier.

Replace belt cover.

**TABLA 9****ACCEPTABLE BELT TENSION MEASURES**

<b>Shredder model</b>	<b>P.T.O</b>	<b>P kg</b>	<b>f mm</b>
<b>SD 130, 150, 180, 200, 225</b>	540/1000 RPM	7.5	11

**Quick list – replacement parts**

	<b>SD Buccaneer (TFVJ)</b>
	ROTOR SD 130
	ROTOR SD 150
91.001.03	ROTOR SD 180
	ROTOR SD 200
91.001.05	ROTOR SD 225
48496.19	ROTOR BEARING SKF1311EK
48496.17	HAMMER-OSCILLATING 1 CUT
48496.21	HAMMER-OSCILLATING DOUBLE CUT
48496.04	PULLEY COVER (SD)
48496.05	SKATES (2UNITS) (SD)
05.299.71	BELT SPBX1000
48496.14	HYDRAULIC PISTON
48496.15	TFV-MF CHAIN 140=34/TFV MF160=40/TFV-MF 180=46/TFV-MF 200=52/TFV-MF-220=58 (unit)

<b>Martillos móviles</b>		<b>Swinging Hammers</b>	
<b>Tipo Maquina</b>	<b>CTDAD</b>	<b>Machine Type</b>	<b>Qty</b>
TFVJ 130	20	SD 130	20
TFVJ 150	24	SD 150	24
TFVJ 180	28	SD 180	28
TFVJ 200	32	SD 200	32
TFVJ 220	36	SD 220	36

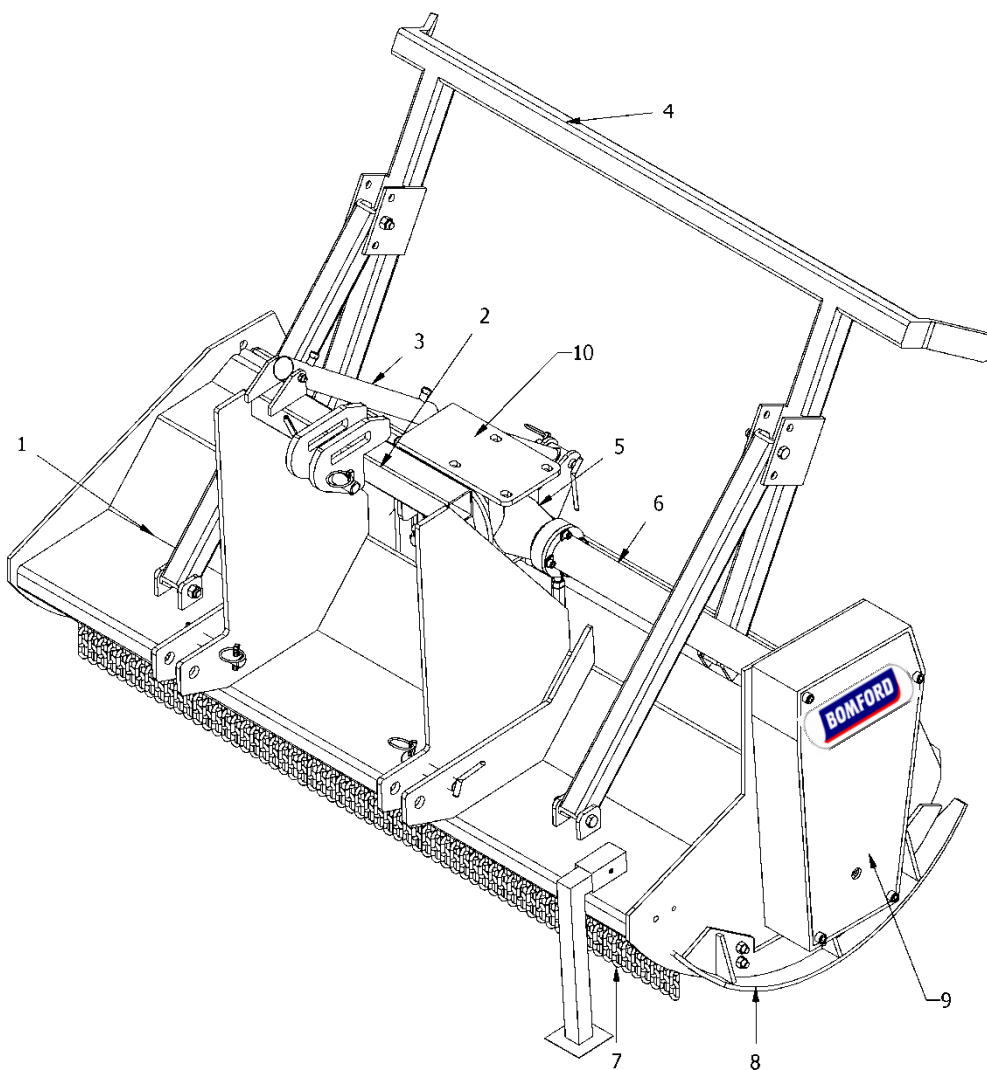


**Parts Manual 689**

**Buccaneer**

**HDX 180, 200, 225, 250**

**Forestry Mulcher**



**FIG 1**

**Fig 1 Buccaneer SD (TFVJ) 130, 150, 180, 200, 225**

No	Descripción en español	Description English	Qty
1	Carcasa	Housing	1
2	Enganche	Hitch	1
3	Pistón Hidráulico	Hydraulic piston	1
4	Defensas/protectores	Defenses / savers / protectors	1
5	Grupo Multiplicador	Multiplier group	1
6	Protector eje	Axle protector	1
7	Cadenas	Chains	-
8	Patines	Skids	2
9	Tapa Correas	Cover straps	1
10	Chasis soporte Grupo	Chassis support group	1
11	Polea 180	Pulley 180	1
12	Polea 220	Pulley 220	1
13	Correas	Belts	1
14	Martillo	Hammer	-
15	Eje Portamartillos	Hammer shaft holder	4
16	Tapa	Top	1

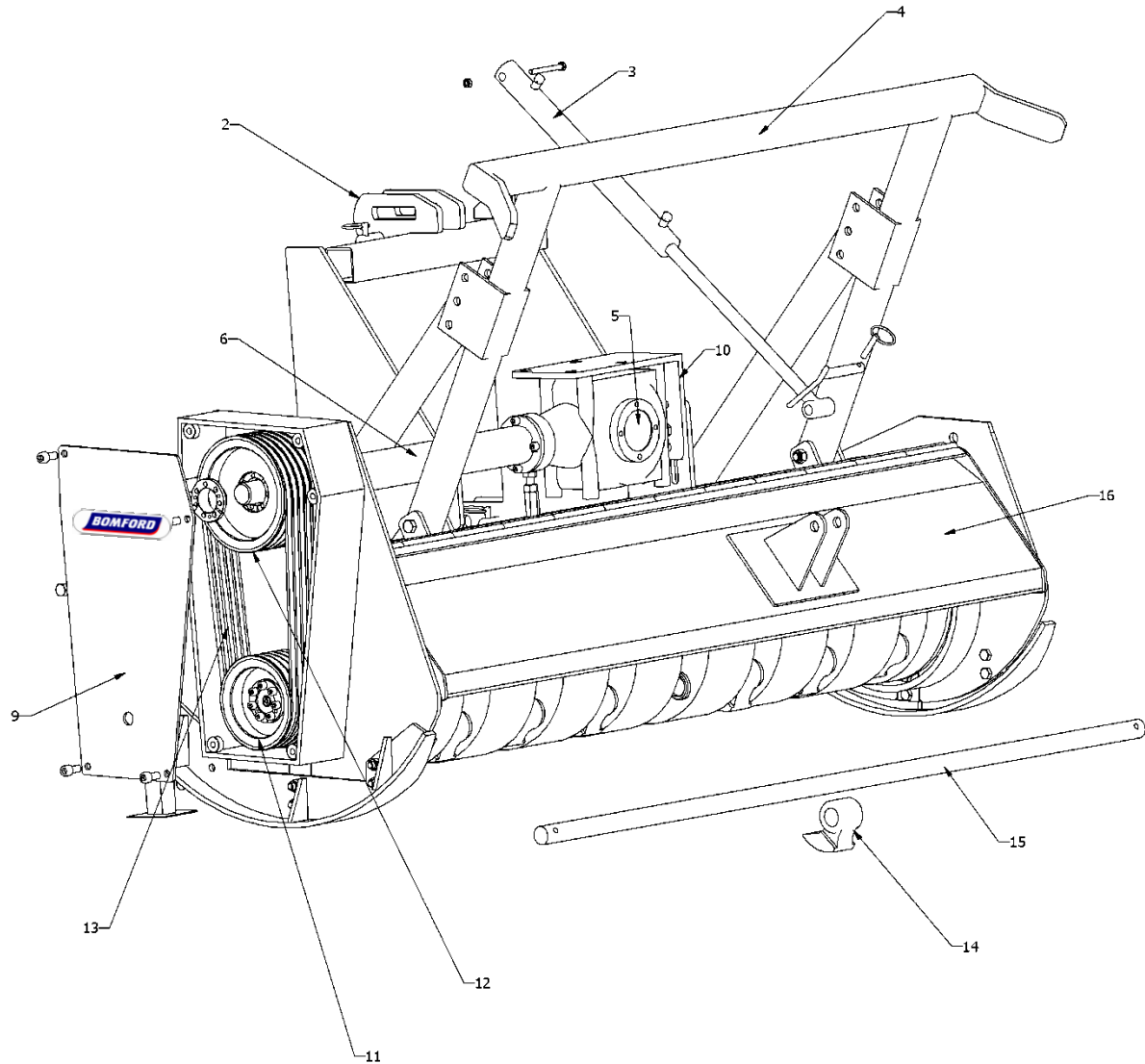


FIG. 2

Fig 2 Buccaneer SD (TFVJ) 130, 150, 180, 200, 225

No	Descripción en español	Description English	Qty
1	Carcasa	Housing	1
2	Enganche	Hitch	1
3	Pistón Hidráulico	Hydraulic piston	1
4	Defensas	Defenses / savers / protectors	1
5	Grupo Multiplicador	Multiplier group	1
6	Protector eje	Axle Protector	1
7	Cadenas	Chains	-
8	Patines	Skids	2
9	Tapa Correas	Cover straps	1
10	Chasis soporte Grupo	Chassis support group	1
11	Polea 180	Pulley 180	1
12	Polea 220	Pulley 220	1
13	Correas	Belts	1
14	Martillo	Hammer	-
15	Eje Portamartillos	Hammer shaft holder	4
16	Tapa	Top	1

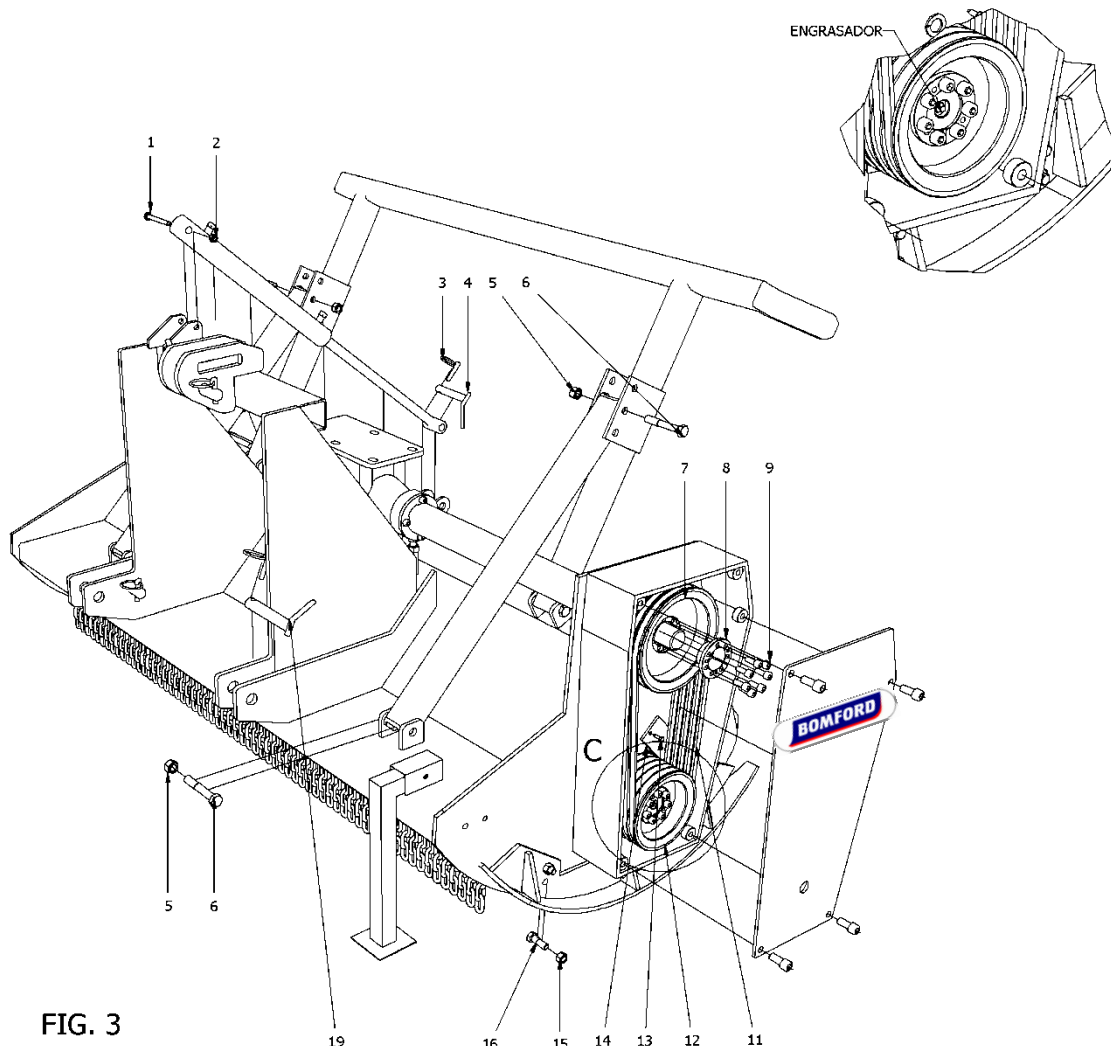


FIG. 3

Fig 3 Buccaneer SD (TFVJ) 130, 150, 180, 200, 225

No	Descripción en español	Description English	Qty
1	Perno de Cabeza Hexagonal ISO 4014 – M10 x 90	Hex head bolt product - ISO 4014 – M10 x 90	1
2	Tuercas Hexagonales, Estilo 1 – ISO 4032 – M10	Hex nuts style 1 – ISO 4032 - M10	9
3	Clip	Clip	4
4	Pasador piston hidraulico	Hydraulic piston pin	1
5	Tuercas Hexagonales – ISO 4032 – M16	Hex nuts – ISO 4032 – M16	10
6	Pernos de cabeza hexagonal – vástago reducido – ISO 4015 – M16 x 100	Hex bolts – small rod – ISO 4015 – M16 x 100	6
7	Polea	Pulley	1
8	Fijador de la polea	Pulley Fixer	2
9	Tornillo con cabeza rematada en boquilla hexagonal ISO – 4762 – M10 x 25	Screw with hexagonal nozzle head topped with ISO – 4762 – M10 x 25	14
10	Tornillo con cabeza rematada en boquilla hexagonal ISO 4762 – M14 x 30	Screw with hexagonal nozzle head topped with ISO 4762 – M14 x 30	4
11	Correa trapezoidal	Belt	9
12	Polea	Pulley	1
13	Tornillos roscadores de cabeza hexagonal ISO 1479 – ST 6,3 x 19 – F	Hex head tapping screws of ISO 1479 – ST 6.3 x 19 – F	4
14	Tapa de eje porta martillos	Cap holder shaft hammers	1
15	Tuerca hexagonal ISO 4032 – M14	Hexagon nut - ISO 4032 – M14	14
16	Tornillo hexagonal din 609 – M14 x 42	Hex screw DIN 609 – M14 x 42	12
17	Tornillos roscadores de cabeza hexagonal ISO 1479 – ST 9,5 x 25 – F	Hex head tapping screws - ISO 1479 – ST 9.5 x 25 – F	2
18	Arandelas planas – serie normal – ISO 7089 – 12 – 140 HV	Flat washers – normal series - ISO 7089 – 12 – 140 HV	2
19	Pasador/bulón	Pin / bolt	3

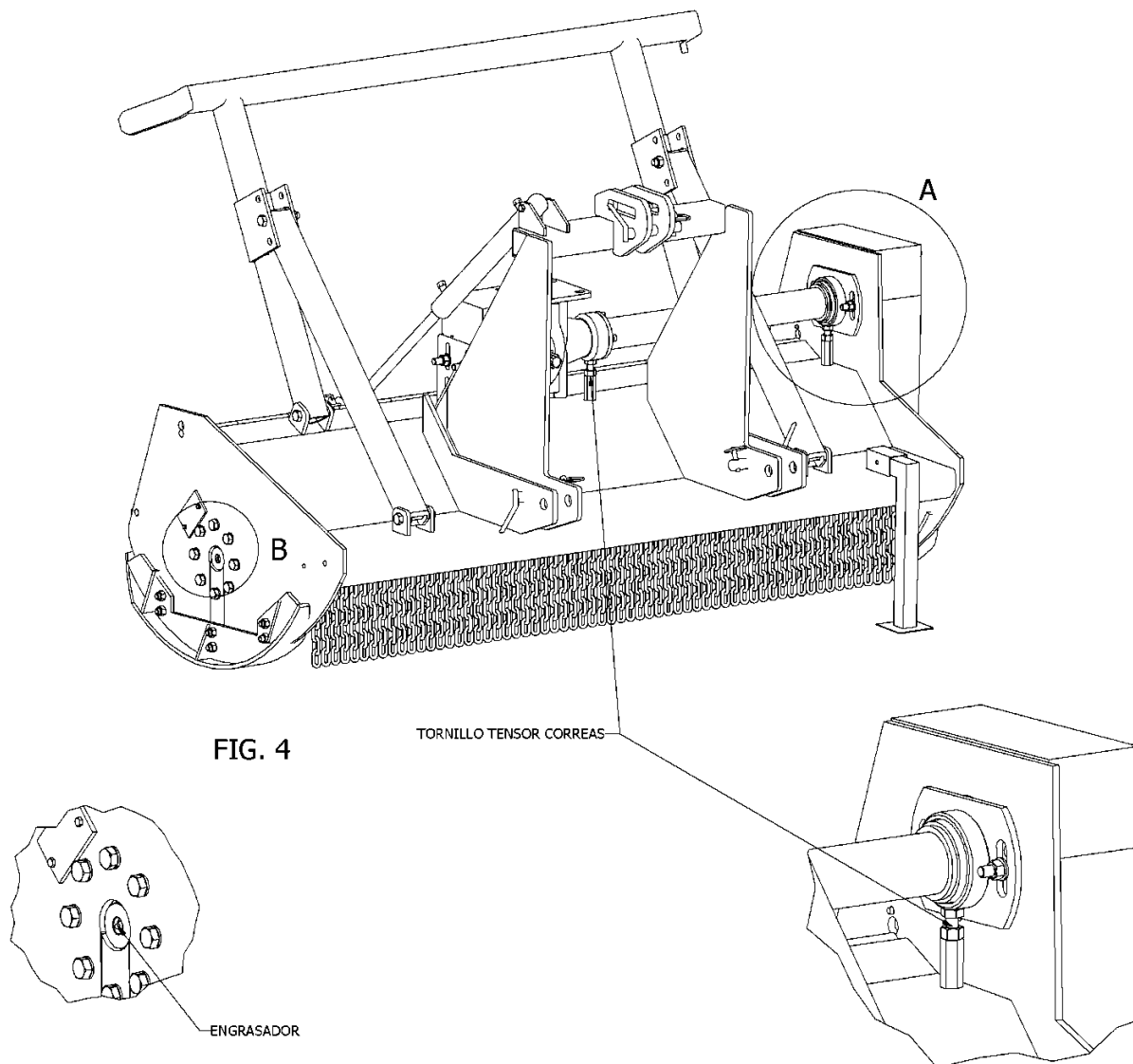


FIG. 4

TORNILLO TENSOR CORREAS

ENGRASADOR

Fig 4 Buccaneer SD (TFVJ) 130, 150, 180, 200, 225

No	Descripción en español	Description English	Qty
1	Perno de Cabeza Hexagonal – ISO 4014 – M10 x 90	Hex Head Bolt – ISO 4014 - M10 x 90	1
2	Tuercas Hexagonales – ISO 4032 – M10	Hex Nuts - ISO 4032 - M10	9
3	Clip	Clip	4
4	Pasador piston hidraulico	Hydraulic piston pin	1
5	Tuercas Hexagonales – ISO 4032 – M16	Hex nuts – ISO 4032 – M16	10
6	Pernos de cabeza hexagonal – vástago reducido – ISO 4015 – M16 x 100	Hex Bolts - small rod - ISO 4015 - M16 x 100	6
7	Polea	Pulley	1
8	Fijador de la polea	Pulley fixer	2
9	Tornillo con cabeza rematada en boquilla hexagonal ISO – 4762 – M10 x 25	Screw with hexagonal nozzle head topped with - ISO - 4762 - M10 x 25	14
10	Tornillo con cabeza rematada en boquilla hexagonal ISO 4762 – M14 x 30	Screw with hexagonal nozzle head topped with - ISO 4762 - M14 x 30	4
11	Correa	Belt	9
12	Polea	Pulley	1
13	Tornillos roscadores de hexagonal ISO 1479 – ST 6,3 x 19 – F	Hex tapping screws of ISO 1479 - ST 6.3 x 19 - F	4
14	Tapa de eje porta martillos	Cap holder shaft hammers	1
15	Tuerca hexagonal ISO 4032 – M14	Hexagon nut ISO 4032 – M14	14
16	Tornillo hexagonal DIN 609 – M14 x 42	Hex screw DIN 609 – M14 x 42	12
17	Tornillos roscadores de cabeza hexagonal ISO 1479 – ST 9,5 x 25 – F	Hex head tapping screws - ISO 1479 - ST 9.5 x 25 - F	2
18	Arandelas planas – ISO 7089 – 12 – 140 HV	Flat washers - ISO 7089 - 12 - 140 HV	2
19	Pasador/bulón	Bolt / pin	3

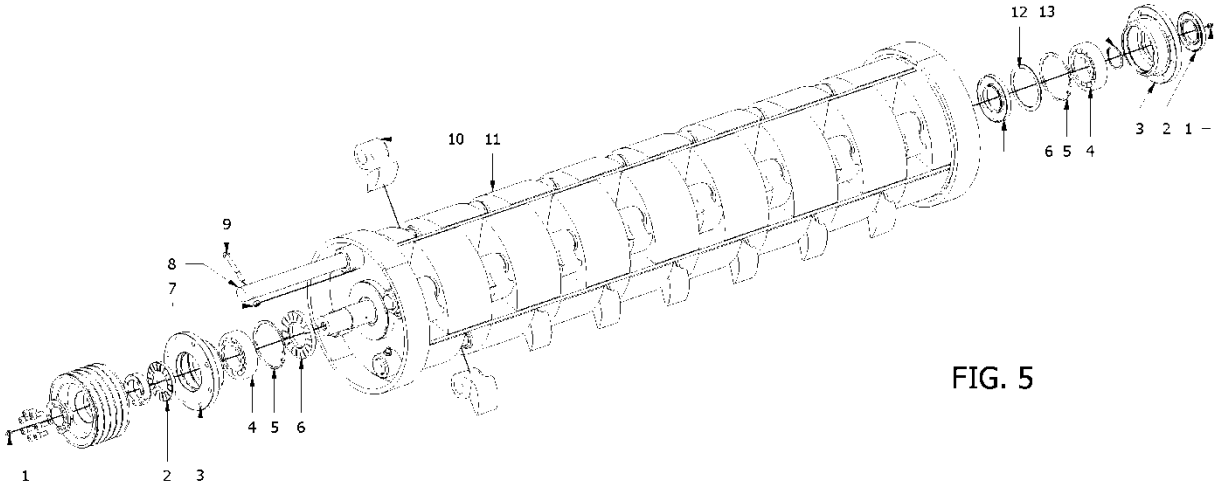


FIG. 5

**Fig 5** Buccaneer SD (TFVJ) 130, 150, 180, 200, 225

No	Descripción en español	Description English	Qty
1	Boquilla lubricante, tipo cónico DIN 71412 – AM10 x 1 conico corto	Lubricating nozzle, conical type to DIN 71412 – AM10 x 1 short conical	2
2	Reten de aceite de 55 x 100 x 12	Oil seal 55 x 100 x 12	2
3	Buje porta cojinetes	Bushing bearing holder	2
4	Rodamiento de bolas autoalineados, doble fila, SKF DIN 630 SKF 1311 EK	Lined-up / aligned ball bearing, double row tapered 630 SKF 1311 SKF EK DIN	2
5	Anillas de retencion DIN 472 – 120 x 4	Retaining rings DIN 472 – 120 x 4	2
6	Reten de aceite de 65 x 120 x 12	Oil seal 65 x 120 x 12	2
7	Tuercas hexagonales – credo ISO 4032 – M10	Hexagon nuts – creed ISO 4032 – M10	8
8	Barra porta martillos	Hammers holder bar	4
9	Pernos de cabeza hexagonal – vástago reducido – ISO 4015 – M10 x 80	Hex bolts – small rod – ISO 4015 – M10 x 80	8
10	Martillo	Hammer	24
11	Rotor TFVJ	Rotor SD	1
12	Anillo separador de 100 x 120 x 2	Spacer ring 100 x 120 x 2	1
13	Anillas retención el eje DIN 471 – 55 x 2	Restraint rings for axle / shaft DIN 471 – 55 x 2	1



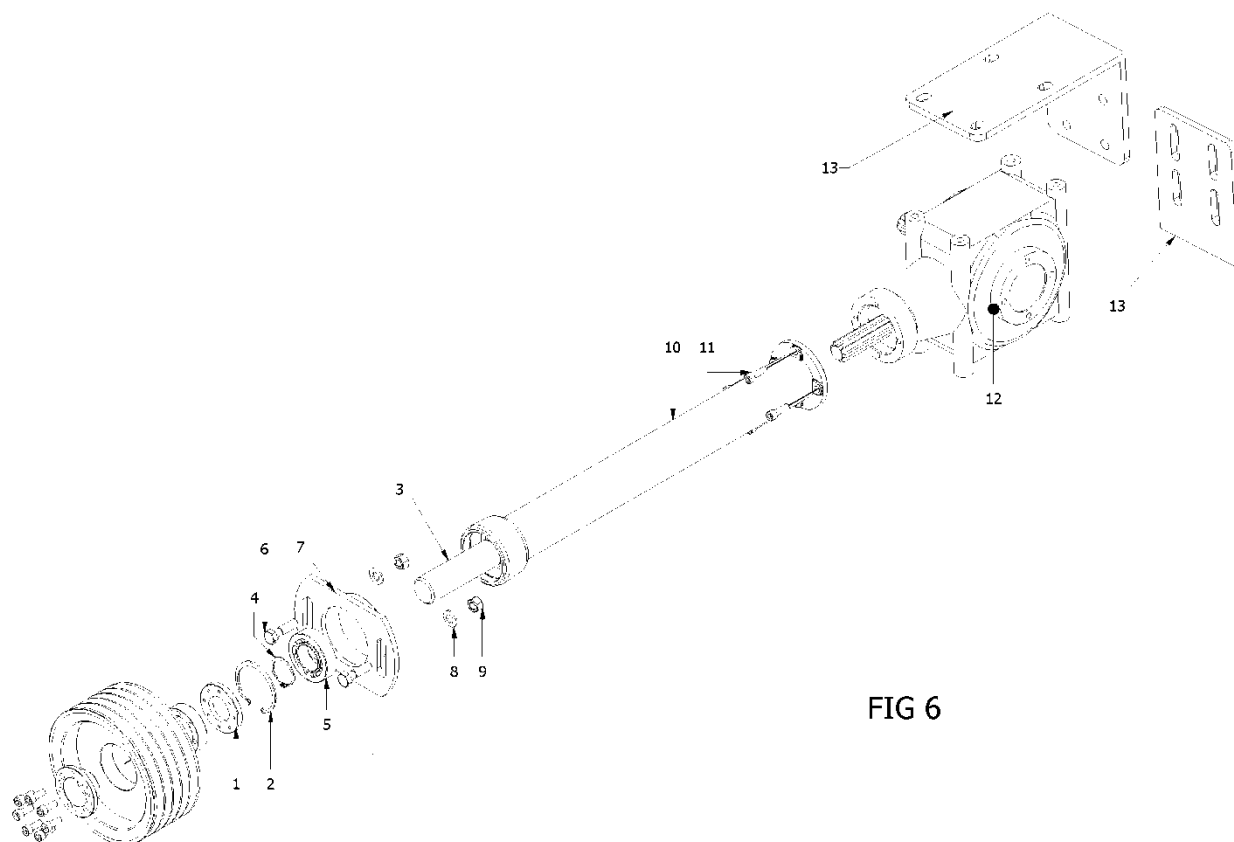
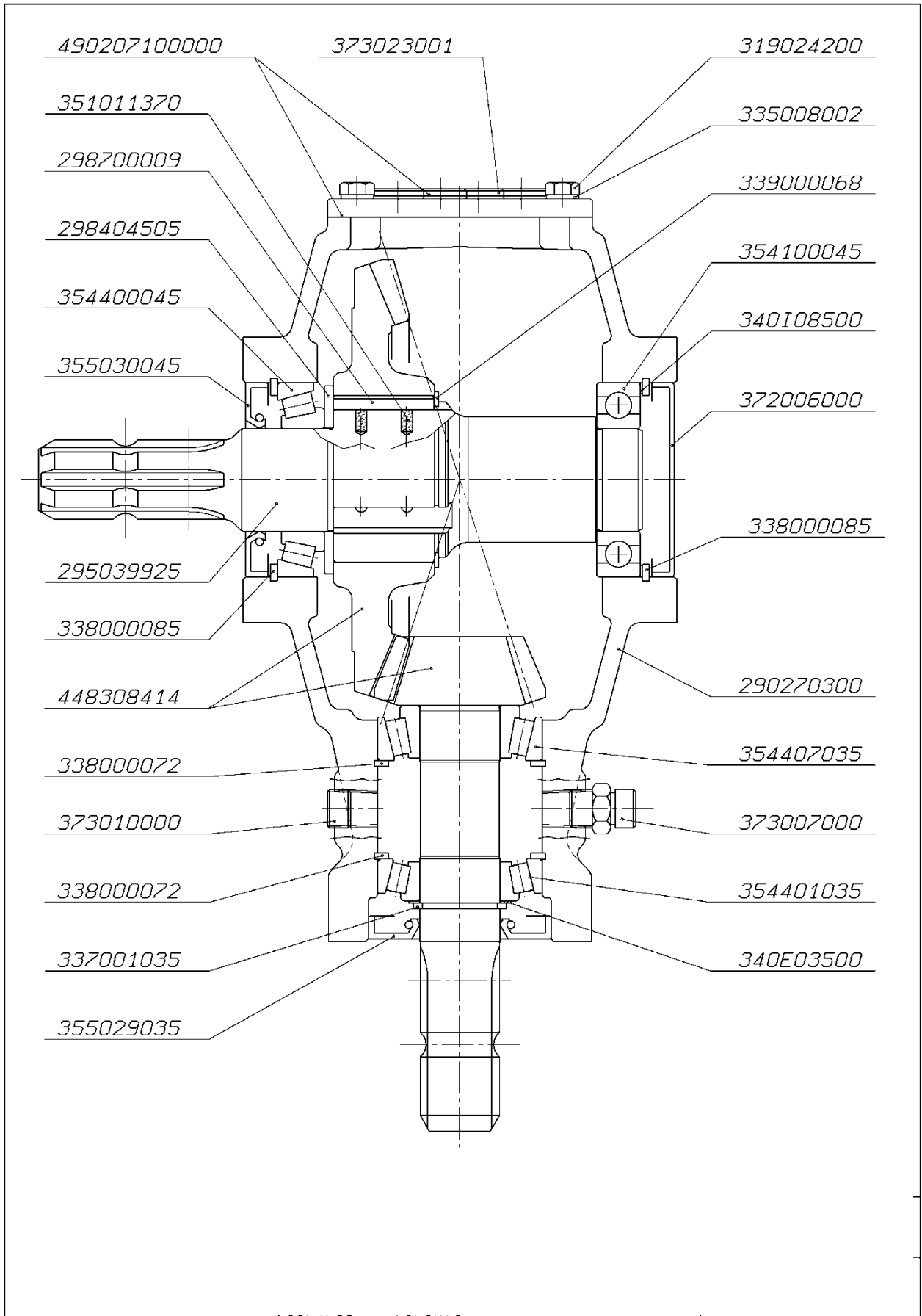


FIG 6

**Fig 6 Buccaneer SD (TFVJ) 130, 150, 180, 200, 225**

No	Descripción en español	Description English	Qty
1	Reten	Seal	1
2	Anilla retención DIN 472 – 85 x 3	Retaining rings for shaft DIN 472 x 85 x 3	1
3	Eje	Axis	1
4	Anillas de retencion para el eje DIN 471 – 45 x 1, 75	Retaining rings for shaft DIN 471 – 45 x 1, 75	2
5	Rodamiento de rodillo DIN 635 T2 – 222 09 – 45 x 85 x 23	Roller bearings DIN 635 T2 – 222 09 – 45 x 85 x 23	1
6	Pernos de cabeza hexagonal – vástago reducido – ISO 4015 – M 14 x 50	Hex bolts – small rod – ISO 4015 – M14 x 50	2
7	Buje manguon / tensor correas	Belt tensioner	1
8	Arandelas planas – ISO 7089 – 14 – 140 HV	Flat washers – ISO 7089 – 14 – 140 HV	2
9	Tuerca hexagonal ISO 4032 – M14	Hexagonal nut ISO 4032 – M14	2
10	Manguon porta ejes	Axle Protector	1
11	Tornillo con cabeza rematada en boquilla hexagonal ISO 476 – M 10 x 30	Screw with hexagonal nozzle head topped with ISO 476 – M10 x 30	4
12	Grupo multiplicador S2071310182	Multiplier group S2071310182	1
13	Sporte grupo chasis	Sport chassis group	1



VIETATE LE RIPRODUZIONI NON AUTORIZZATE REPRODUCTION NOT PERMITTED ALL RIGHT RESERVED TOUTE REPRODUCTION NON AUTORISEE EST INTERDITE

