

Robin

Features

- ✓ End drive cutting head or cutterbar
- ✓ Low friction cable control
- ✓ Electronic Proportional Controlled (EPC) optional
- ✓ Front mount option

The Robin is perfect for amenity and estate use and is a firm favourite with small farmers.



Cable control



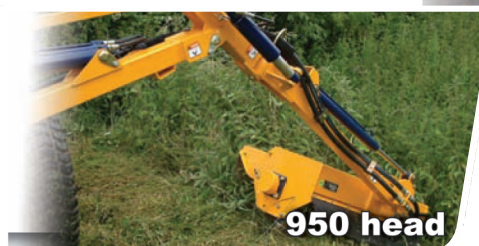
Sheartrim cutterbar



A frame fitting



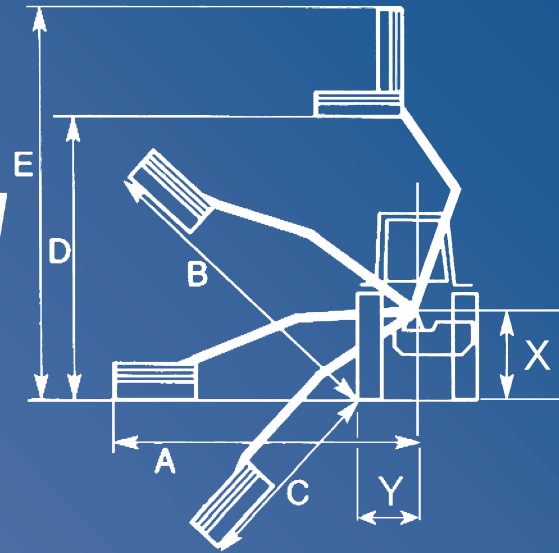
Fine trimming



950 head



Twin pump



	Robin 3.2		Robin 4.2	
A	3.4m	11' 2"	A	4.4m 14' 2"
B	3.0m	9' 10"	B	4.0m 13' 2"
C	1.98m	6' 6"	C	2.98m 9' 10"
D	3.3m	10' 10"	D	4.3m 14' 2"
E	4.3m	14' 11"	E	5.3m 17' 5"
X	1.34m	4' 7"	X	1.34m 4' 7"
Y	1m	3' 4"	Y	1m 3' 4"

Tractor requirements

	Robin
Minimum horse power	30-40hp
Minimum weight	800Kg

Base unit mounting options

Front mount	○
Mid-mount	✗
Rear mount	●
Three point linkage (CAT II)	●
Axle bracket	✗

Overall machine parameters

Weight of machine without oil or head	456Kg
Capacity of oil tank	55Litres
Weight of machine with oil but without head	500Kg

Hydraulic controls

Cable control (CC)	●
Electronic proportional control (EPC)	○
Intelligent control system (ICS)	✗
Low pressure hydraulics (LPH)	✗
Cable rotor reverse	✗
Electronic rotor reverse	✗

● = Standard
○ = Optional
✗ = Not available

	Robin 3.2	Robin 4.2
Hydraulic system		
System capability	25hp	25hp
Pump flow rate	50Litres	50Litres
Pump type (Gear / Piston / Helical)	G	G
Pump arrangement (Twin / In-line)	•	•
Independent hydraulics	•	•
Oil cooler	✗	✗

Arm features and main frame		
Forward arm	✗	✗
Forward arm reach (Fixed / Variable)	✗	✗
Telescopic arm	✗	✗
Telescopic arm stroke	✗	✗
Power slew	✗	✗
Power slew angle	✗	✗
Gravity breakout	•	•
Hydraulic breakout	✗	✗
Armfloat - manual	○	○
Armfloat - electronic	✗	✗
Headfloat - manual	•	•
Headfloat - electronic	✗	✗
Left hand cutting	○	○
Right hand cutting	○	○
Left & right hand cutting	✗	✗

Arm attachments available		
Variable track bracket (VTB)	✗	✗
Cutterbar	○	○
Bladed saw head (Blade Runner)	✗	✗
Ditch cleaner	✗	✗
Rotary head	✗	✗

Accessories		
Road lights	✗	✗
Debris blower	✗	✗
Warning arrow (Magnetic / Fixed)	○	○
Cab guard kit	•	•

Cutting heads		
950mm head 102mm roller	○	○
1.5m Cutterbar	○	○
1.65m mini lem 4 rotor	○	○
Rotary Head	✗	✗
Bladed saw head (Mini-Lem)	○	○

	HS40	T60	T40	Pro Flails	Bushmaster
Flails	•	✗	✗	✗	✗

